



**Pump Model - version**

JETINOX 112 M - N.1.- -

Attention: check the correspondence with the serial number of the pump.

Company Name  
Contact  
Telephone  
FAX  
E-Mail address

Receiver

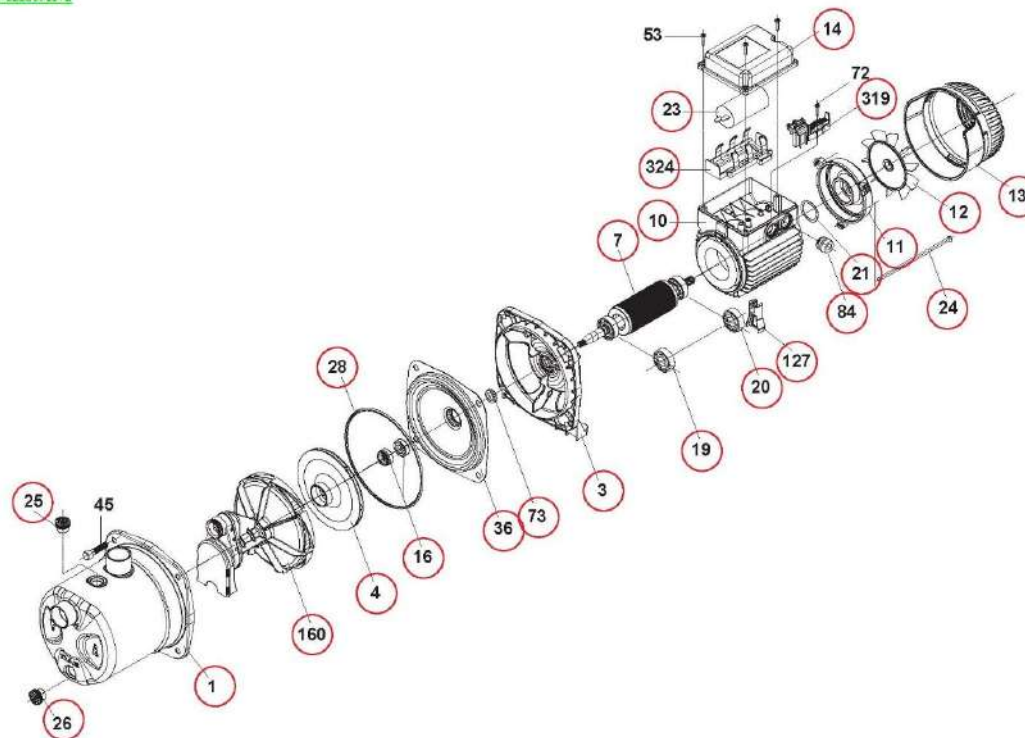
From

JETINOX 112 M - N.1.- - @ 102640060\_c

JETINOX 112 M @ 102640060

| Item | Quant | Item no.  | Description                           | Unit pr. |
|------|-------|-----------|---------------------------------------|----------|
| 1    | 1     | 148120610 | SP.P. PUMP BODY                       | On req.  |
| 10   | 1     | 130645720 | &SP.P.MOTOR MEC71 H90 01 220/240/50   | On req.  |
| 11   | 1     | 164030020 | MEC 71 MOTOR COVER                    | On req.  |
| 12   | 1     | 160760240 | FAN MEC71                             | On req.  |
| 127  | 1     | 161560190 | MOTOR FOOT MEC71                      | On req.  |
| 13   | 1     | 164260100 | FAN COVER MEC71/01                    | On req.  |
| 14   | 1     | 164060410 | TERMINAL BOX COVER                    | On req.  |
| 16   | 1     | 148620280 | COMPLETE MECH.SEAL D.13               | On req.  |
| 160  | 1     | 142860090 | SP.P.DIFF/VEN/NOZ/COMP+OR             | On req.  |
| 19   | 1     | 002310103 | 6302-2RSH D.15X42X13 BEARING          | On req.  |
| 20   | 1     | 002310102 | 6202-2RSH D.15X35X11 BEARING          | On req.  |
| 21   | 1     | 002570001 | LMKAS D.35B THRUST WASHER             | On req.  |
| 23   | 1     | 002710018 | 25 UF X 450V CAPACITOR MAX D.45X 71MM | On req.  |
| 24   | 3     | 167100660 | M5 X 160 MOTOR TIE ROD                | On req.  |
| 25   | 1     | 147120340 | PRIMING PLUG 3/8"GAS +O-RING          | On req.  |
| 26   | 1     | 147120340 | PRIMING PLUG 3/8"GAS +O-RING          | On req.  |
| 28   | 1     | 002220377 | OR-4600 151,99X 3,53 NBR              | On req.  |
| 3    | 1     | 161430090 | MOTOR SUPPORT MEC 71                  | On req.  |
| 319  | 1     | 146860000 | PREMON.MORSET-FERMAC.                 | On req.  |
| 324  | 1     | 168560331 | CAPACITOR LOCKER MEC63-71             | On req.  |
| 36   | 1     | 161000290 | DISC SEAL.A.304                       | On req.  |
| 4    | 1     | 150763030 | IMPELLER D.135                        | On req.  |
| 7    | 1     | 145005870 | SP.P.SHAFT W/ROT.                     | On req.  |
| 73   | 1     | 002210558 | V-RING D.13,5-15X5,5H                 | On req.  |
| 84   | 1     | 168560310 | OPEN CABLE GLAND                      | On req.  |

NON INTERACTIVE



|         |            |            |                          |             |
|---------|------------|------------|--------------------------|-------------|
| Project | Project ID | Created by | Created on<br>2011-01-06 | Last update |
|---------|------------|------------|--------------------------|-------------|